

HOME THEATRE RACK SYSTEM INSTALLATION GUIDE HAV-R300GT

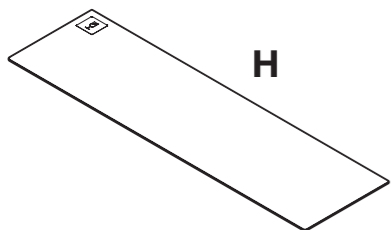
⚠ CAUTION

- THE ASSEMBLY PROCESS SHOULD BE DONE BY TWO OR MORE PEOPLE.
- USE A SUITABLE SCREW DRIVER FOR THE ASSEMBLY PROCESS.
- DO NOT USE GLUE/ADHESIVE TO ASSEMBLE THE RACK AS THIS MAY JEOPARDIZE ITS SERVICEABILITY.
- TO PREVENT SPEAKER DAMAGE, DO NOT HOLD THE CLOTH FRAME DURING ASSEMBLY.
- ALL ASSEMBLY STEPS SHOULD BE COMPLETED TO ENSURE SAFE OPERATION OF THIS UNIT.
- RISK OF PINCHING DURING THE ASSEMBLY PROCESS - TAKE EXTRA CARE.
- INSTALL THIS UNIT NEAR AN ELECTRICAL OUTLET FOR EASY ACCESS.

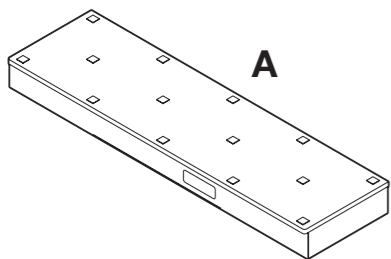
1 List of Parts

Please make sure that the following accessories are included in the package.

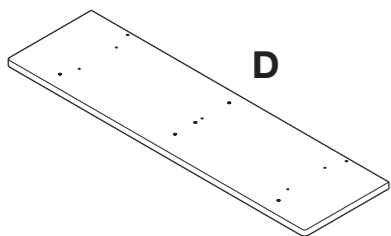
● Top glass



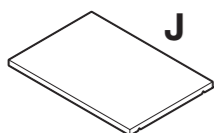
● Top box



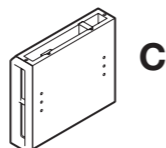
● Bottom board



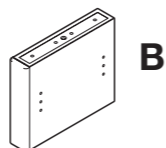
● Shelf board



● Side pillar × 2



● Center pillar



● Long bolt × 5



● Screw × 6



● Foot × 6

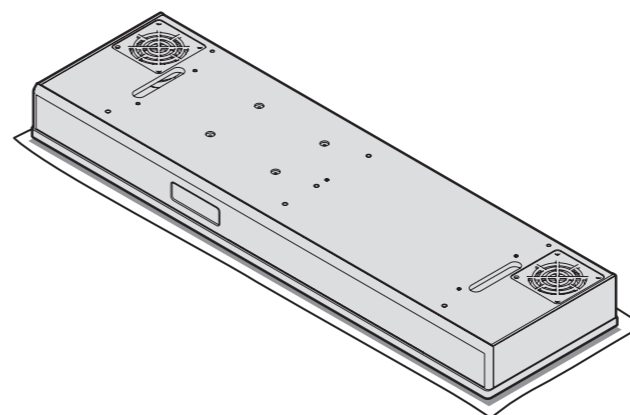
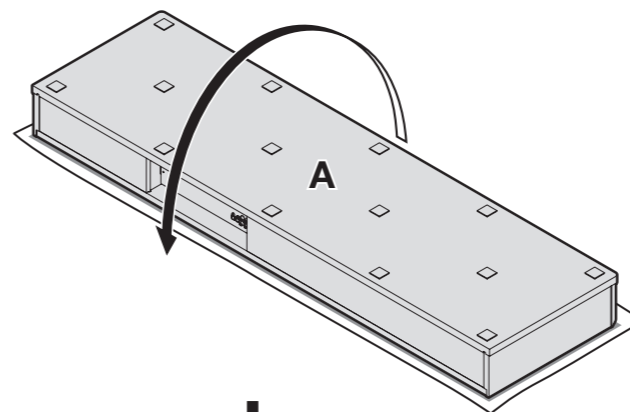


● Metal shelf pin × 8

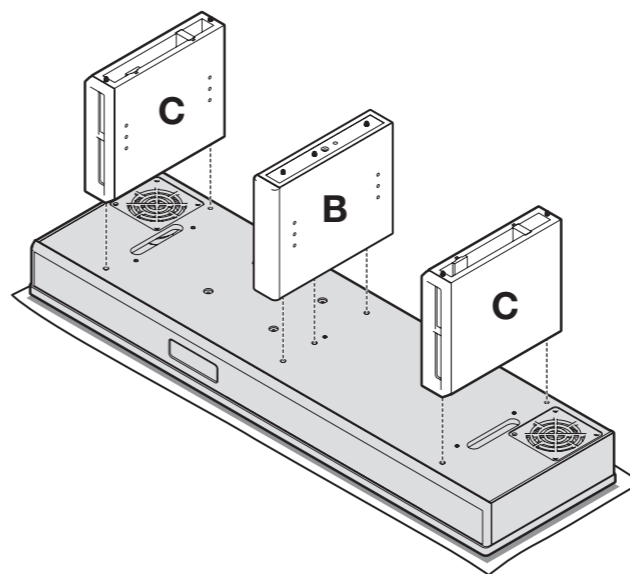


2 Installation

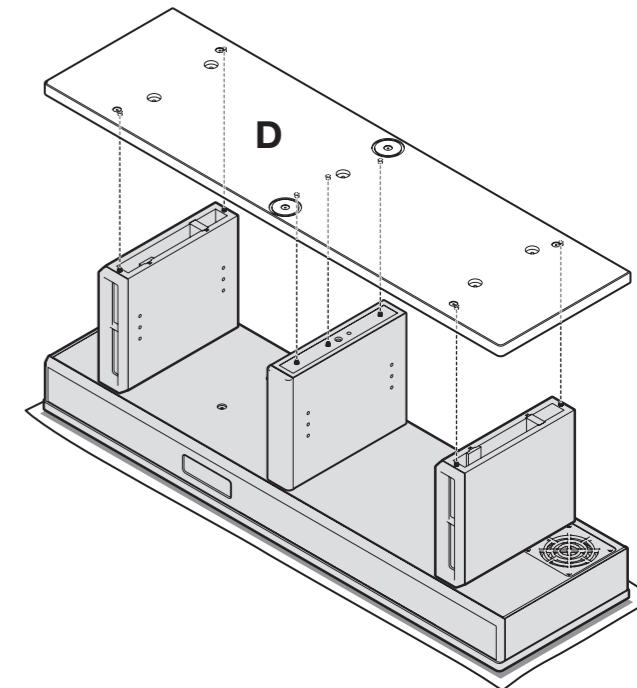
A Turn the top box **A** as shown in the illustration.



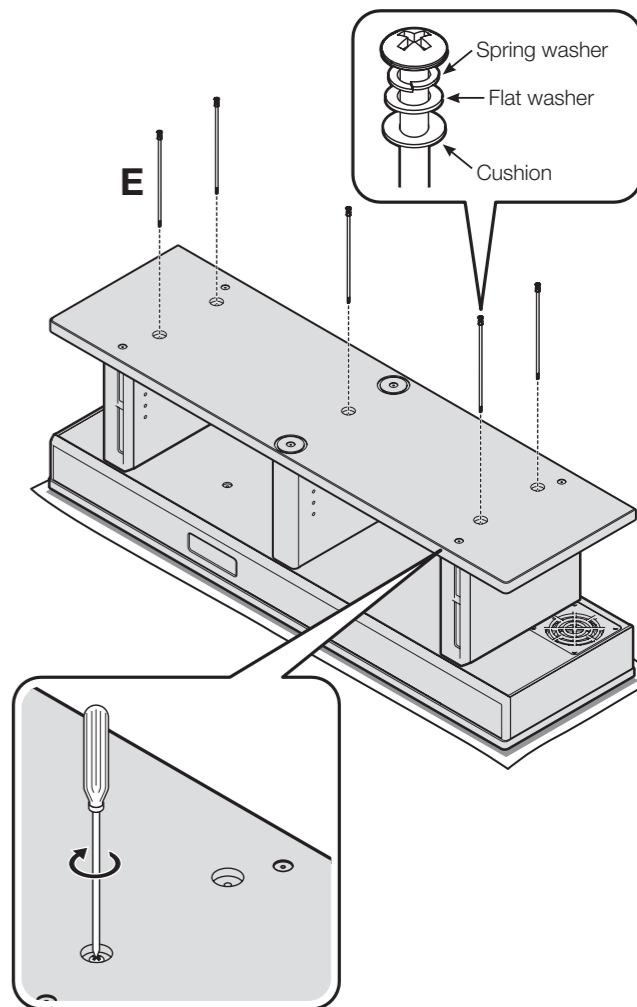
B Place the center pillar **B** and side pillars **C** on the top box.



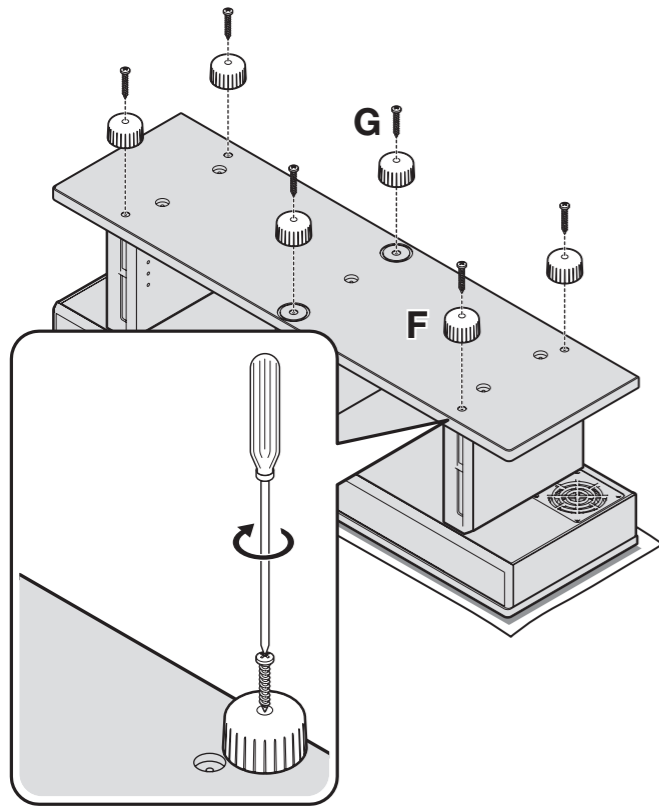
C Place the bottom board **D**.



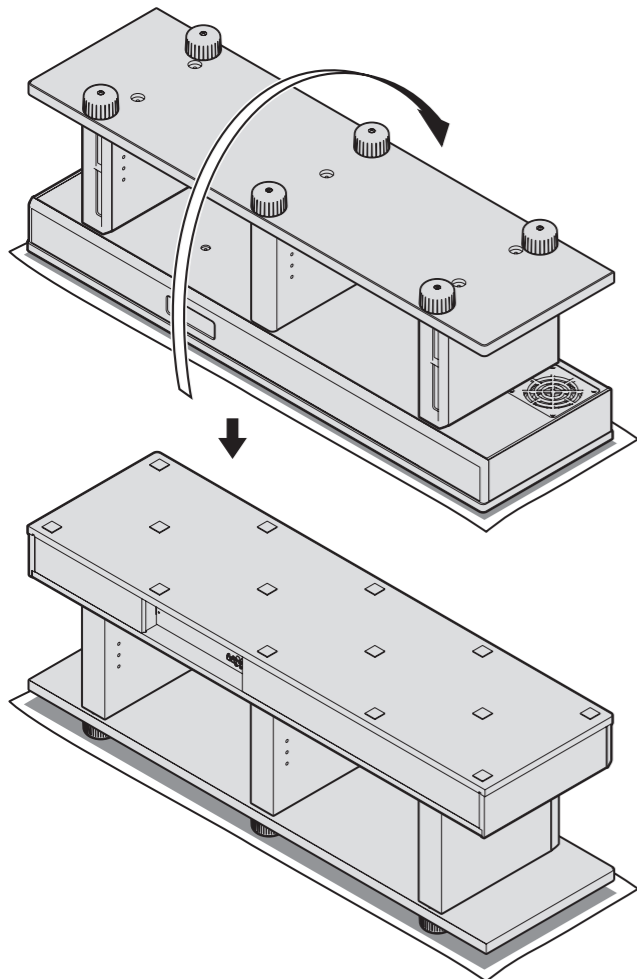
D Secure the theatre rack with 5 pieces of long bolts **E**.



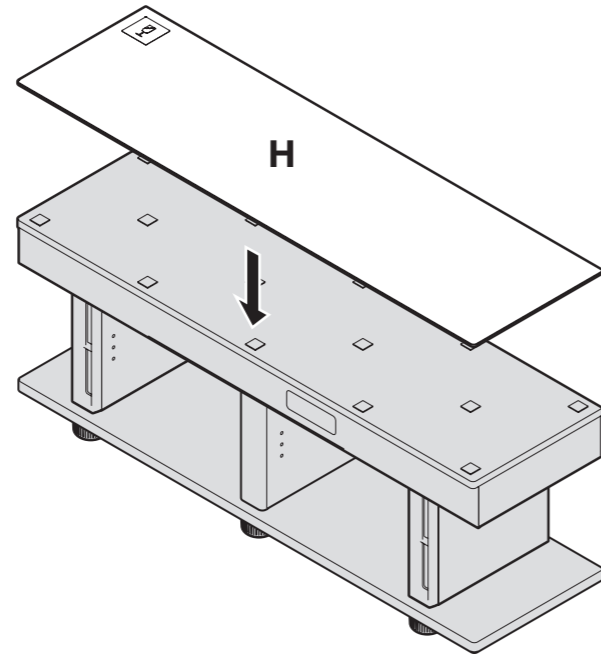
E Place the foots **F** on the bottom board, then secure them with the screws **G**.



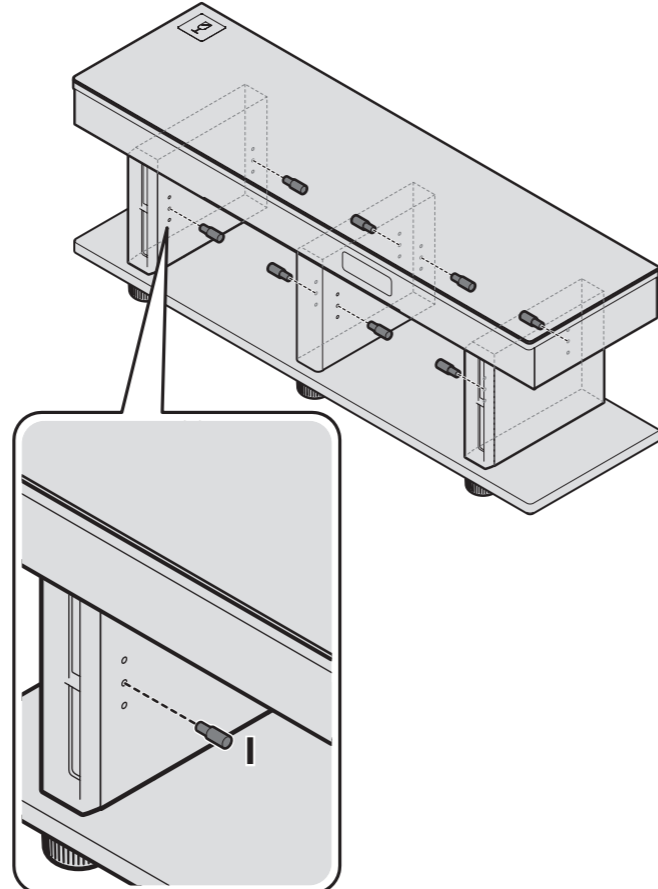
F Turn the theatre rack as shown in the illustration.



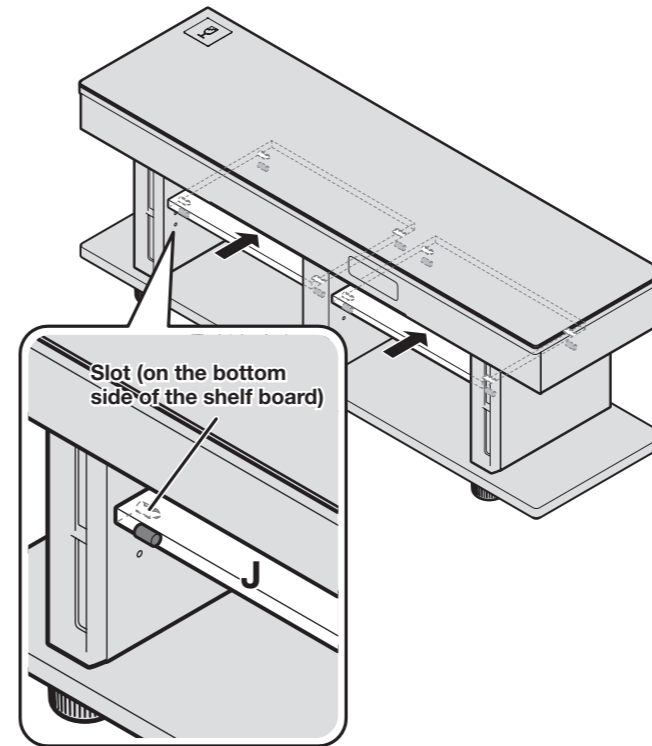
G Place top glass **H** on top of the unit and align properly.



H Insert the metal shelf pins **I** into the pin holes on the center pillar and side pillars.



I Place the shelf boards **J** correctly on top of the metal shelf pins.



NOTE

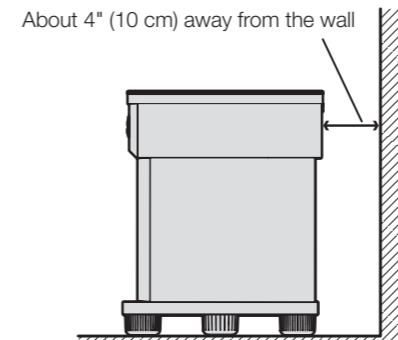
- Shelf board height can be adjusted to 3 levels. (Refer to the "User's Manual" **14** for details.)
- Even when no shelf board is installed, leave the support pins (supplied) in the holes to prevent losing parts.
- If the shelf board is placed in the wrong direction or storage compartment, the equipment installed on it may fall.
- Put the supplied shelf board straight into the storage compartment and place it flat, aligning the slots on the bottom side of the shelf board with the metal shelf pins.

About the installation position

- For safety, wear gloves when installing or moving the unit.
- To prevent injury, two or more people are required to lift this unit.
- Do not touch or press the cloth frame of the speakers while installing or moving the unit. Doing so may cause damage to the cloth of the speaker or the speaker itself.

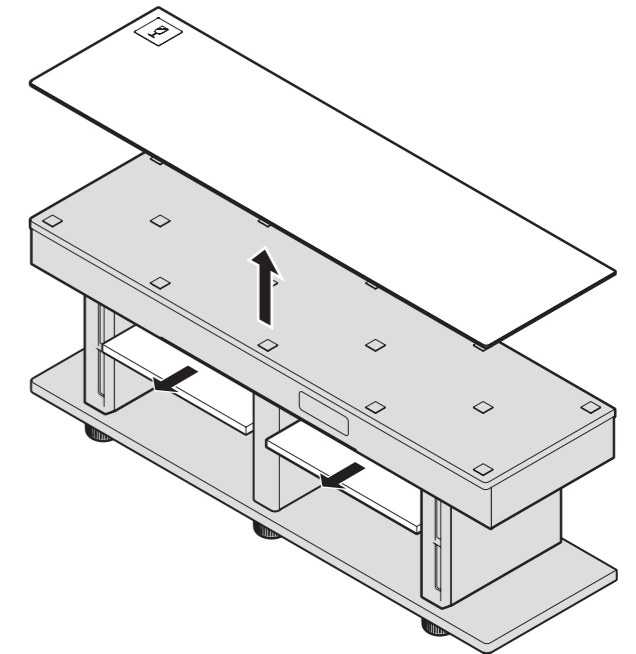
Allow sufficient space around the unit

- Allow for a space of about 4" (10 cm) above, behind and around the unit to avoid blocking the ventilation holes of the amplifier.



Removing the foots

- Remove the foots if you wish to install the unit on an unstable surface such as a thick-piled carpet.
- Carefully remove the top glass, shelf boards and metal shelf pins before putting them in a safe place.



- To prevent injury, two or more people are required to lift this unit.
- Place a soft sheet on the floor and lay the unit upside down on the sheet.
- Remove the foots by loosening the screws.
- After the foots have been removed, please repeat step **F**, **G**, **H** and **I**.

